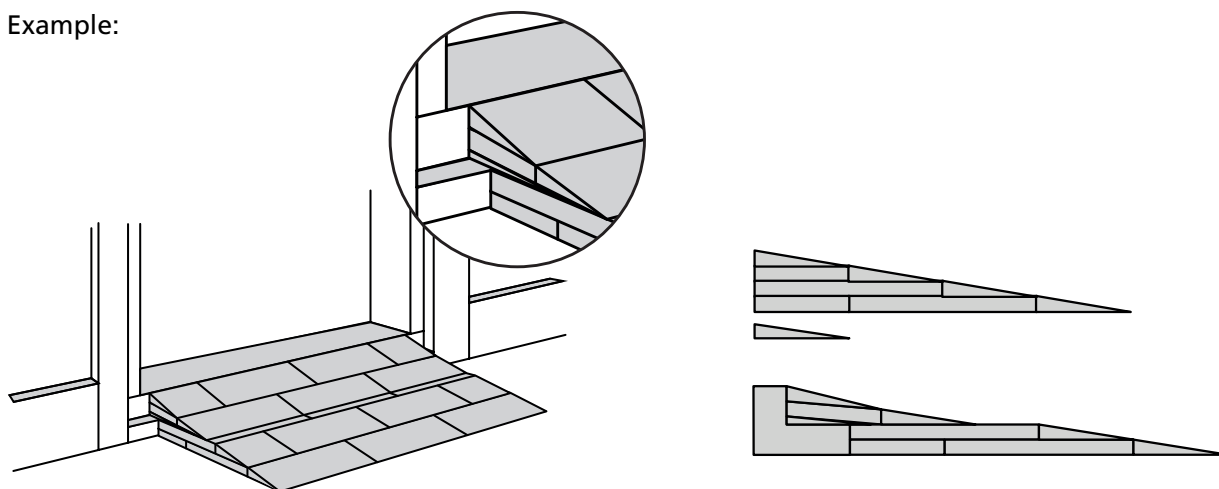


# FITTING KITS ON DIFFERENT THRESHOLDS

Thresholds can be very different and in many cases it is necessary to fit the layers to the threshold. You may have to order extra Ramp Adjusters, to get the best solution on both sides of the ramp.

Example:



Examples on different KIT solutions:

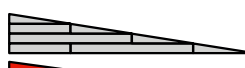
KITs used:

The red marked parts have not been used

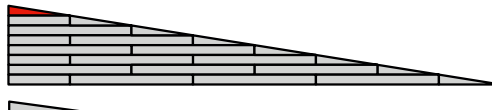
KIT Quickramp + KIT 1



KIT 2



KIT 4



KIT 5

