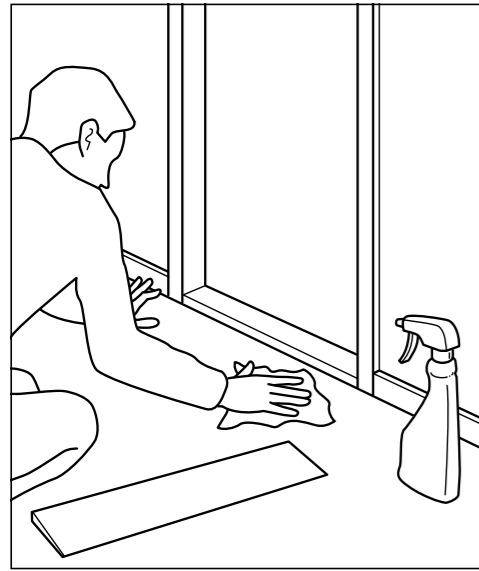


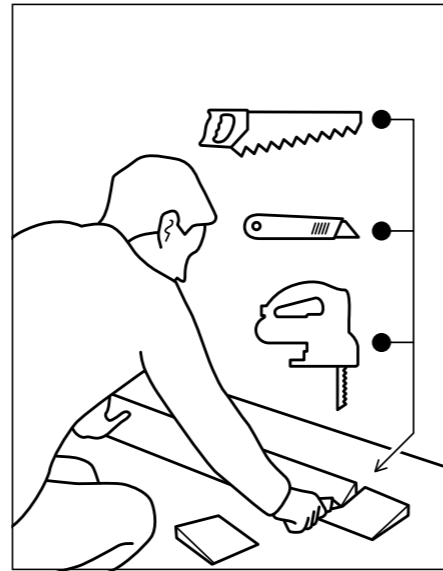
Assembly QuickRamps



Wipe surface clean to remove dirt before starting.

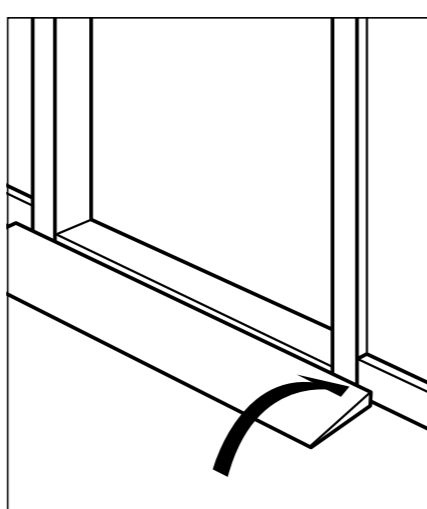
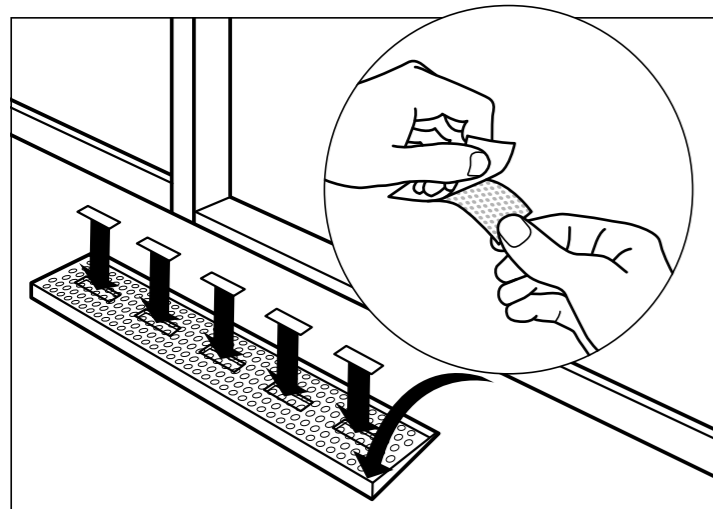


Place QuickRamp into desired position.



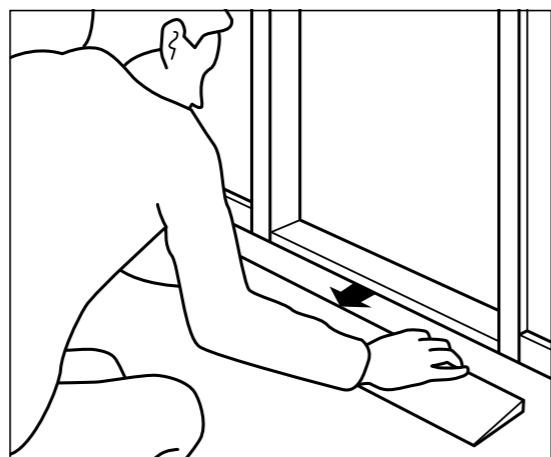
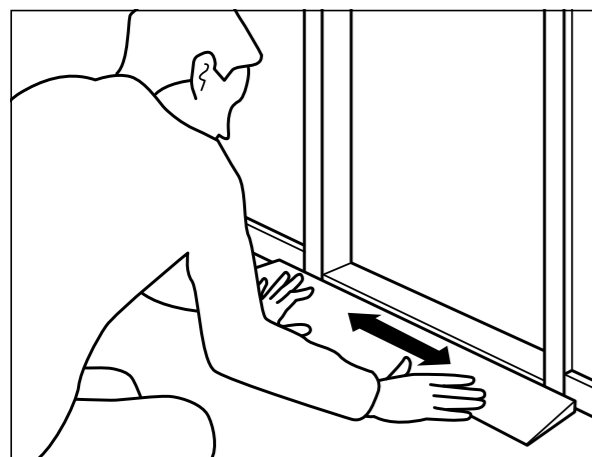
Use handsaw, utility knife or jigsaw to cut length if needed.

4-8 mm ↓



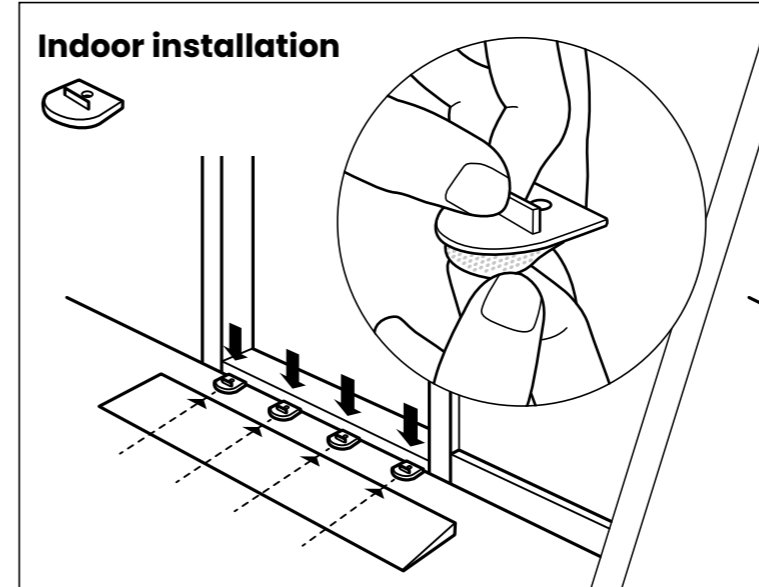
For 4 - 8mm ramps, use **QuickTape**. Peel the film and apply the tape to the bottom of the ramp. Turn back over and put into desired position.

10-60 mm ↓

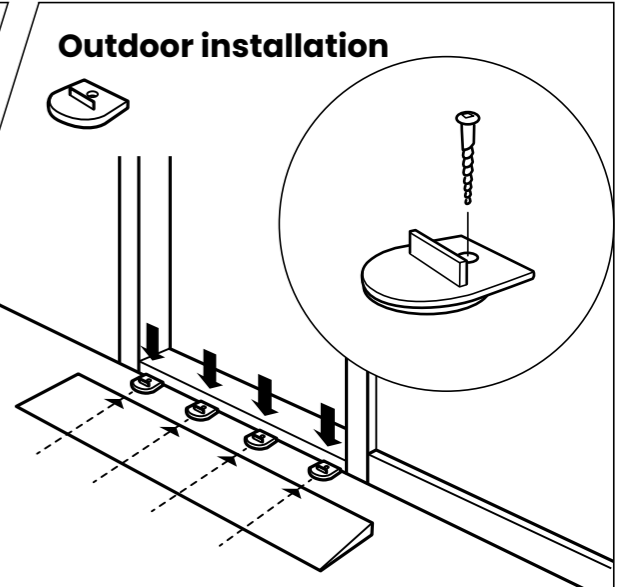


For 10 - 60mm ramps, use **QuickPad**. Align the ramp to the desired position. Small arrows on the ramp will indicate the placement needed for the **QuickPads**.

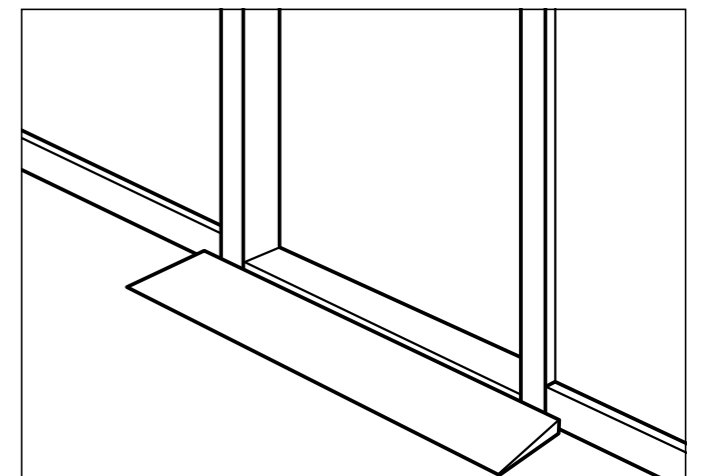
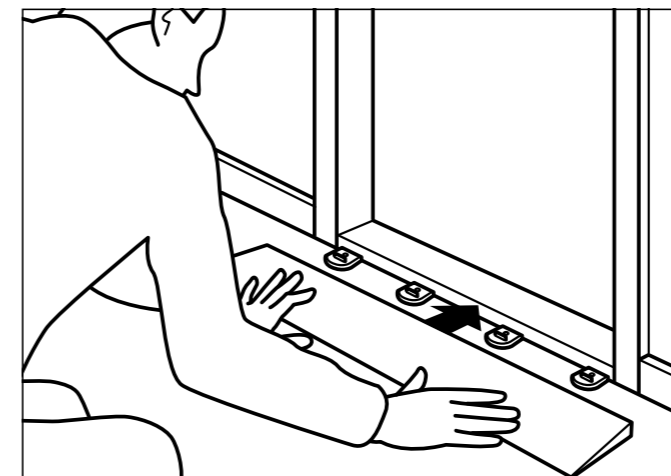
Assembly QuickRamps



For indoor installation, simply peel the adhesive strip and place into position.

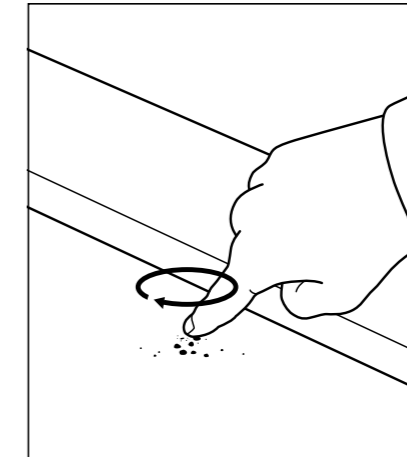
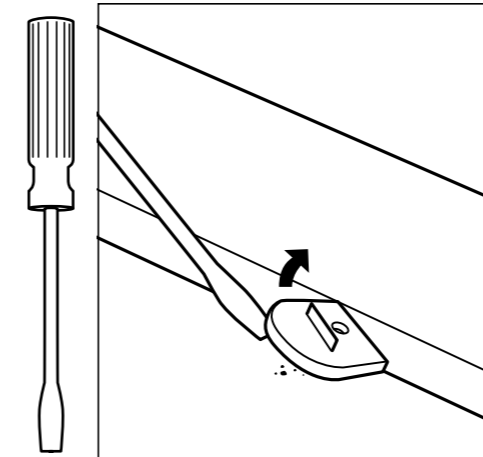


For outdoor installation, place the **QuickPad** into position and secure with a screw.



Once the **QuickPads** have been secured, slide the ramp into position to secure the QuickRamp. Your ramp will now be ready to use.

Dismantling



If you need to remove the ramp, then unscrew (if outdoor installation was followed). Otherwise using a flat head screwdriver, lift the **QuickPad** up and it will be peel away; some pressure may need to be applied. Sometimes a residue may remain, however, simply rub the area with your finger or a damp cloth to remove.